



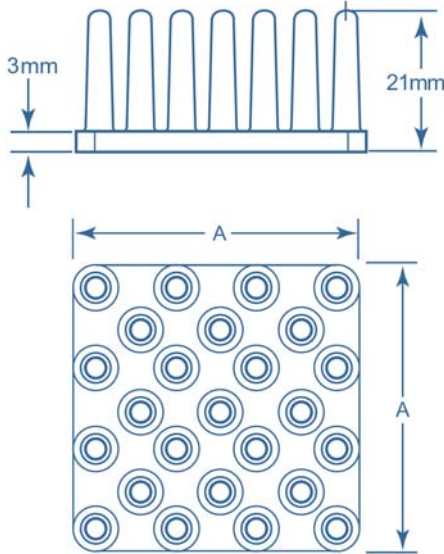
Cool Shield™

Revolutionary Thermal & EMI Solutions

Datasheet 109D

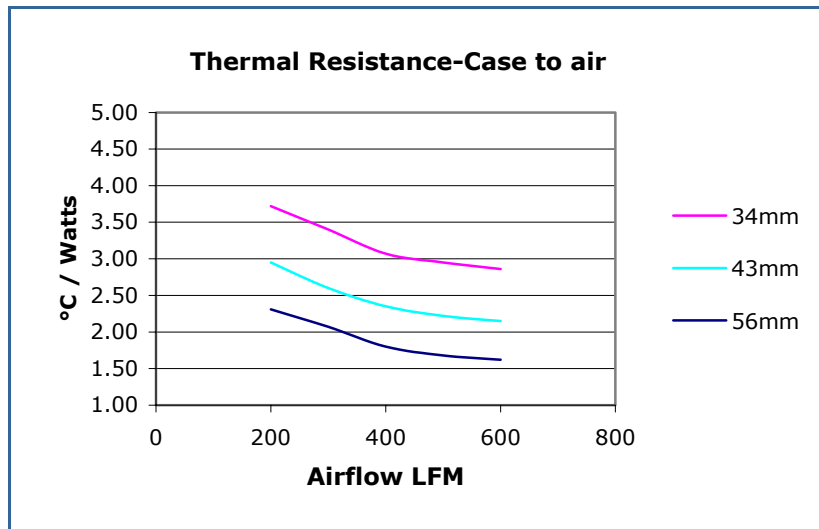
21 MM HIGH SERIES OF COMPOSITE HEAT SINKS

- Optimized for lower airflow or non-ducted applications
- No antenna effect
- 40% lighter than aluminum



Foot Print (A)	Cool Shield Part Number	No. of Pins
34 mm x 34 mm	CSH 034 021	13
43 mm x 43 mm	CSH 043 021	25
56 mm x 56 mm	CSH 056 021	41

Parts can be supplied with 3M 8810 Thermally Conductive Adhesive Tape pre-applied (ordering code suffix -E02).



Standard Material: Thermally Conductive Polyphenylene Sulfide (PPS)

UL Flammability	V0 at 1mm	UL 94
CLTE	12 ppm/°C	ISO 11359-2
Surface Resistivity	6.1 ohm/square	IEC 60093*
Volume Resistivity	1100 ohm-cm	IEC 60093*

Parts are also available in either Dielectric grades or additional Electrically Conductive grades of materials.